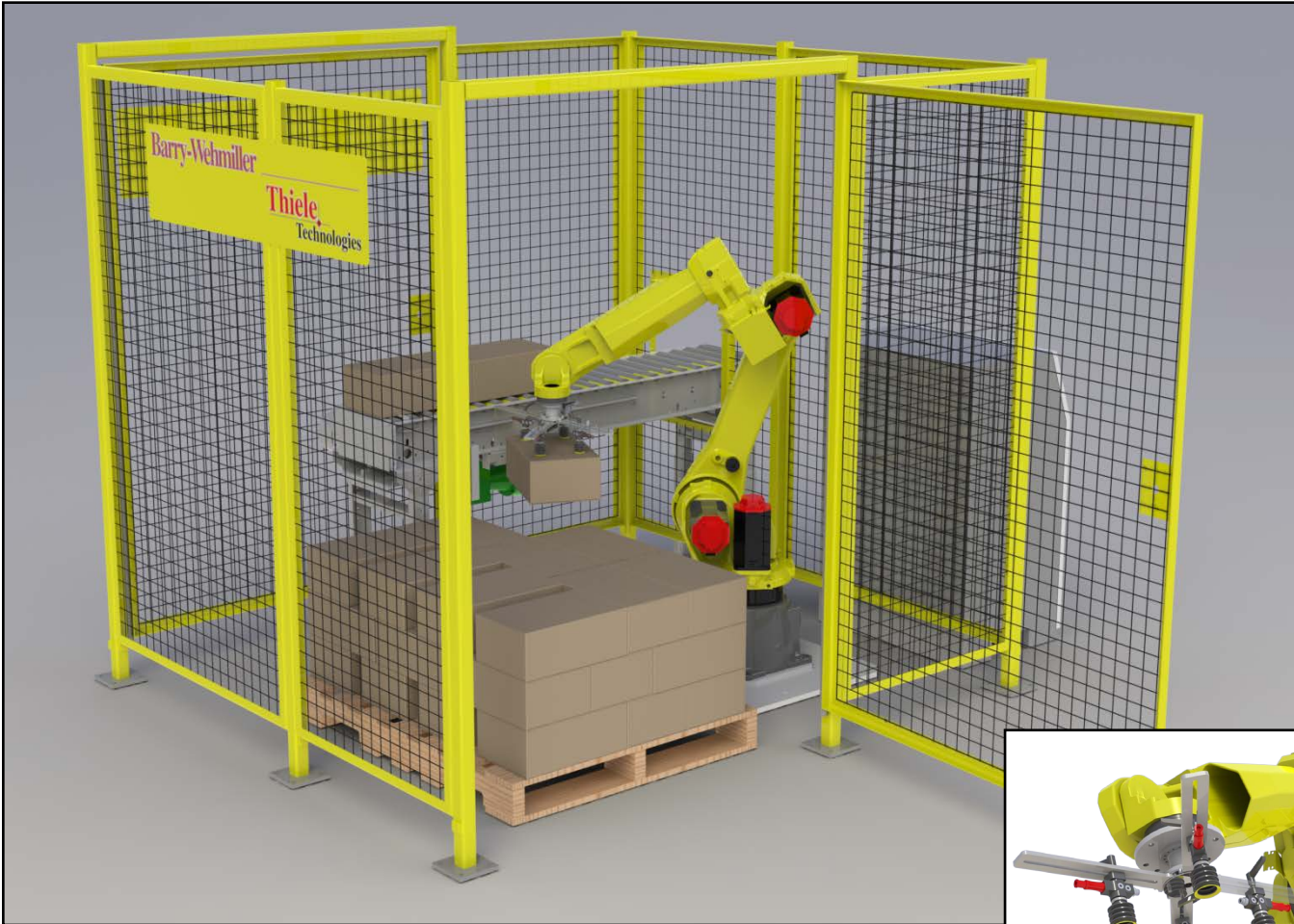


Thiele Technologies

A BARRY-WEHMILLER COMPANY

Entry Level Robotic Palletizer Econo-Pal Palletizer



Key Features

- Simple set-up by operator
- Easy to use step-by-step manual
- Teach Pendant menus are simple to navigate
- Compact design
- Speeds up to 20 cases per minute
- Affordable pricing
- Fast delivery
- Quick changeover - less than 15 minutes
- Pre-arranged pallet patterns

Entry Level Robotic Palletizer

Econo-Pal Palletizer

Thiele's Econo-Pal is an entry level palletizer designed for basic, in-plant set-up by an operator. A small footprint and minimal components make installation fast and easy. The Econo-Pal does not require Thiele technicians to be present. A step-by-step manual and menu-driven controls allow in-plant personnel to set up and operate the Econo-Pal. The robot teach pendant contains easy to navigate and use HMI screens.

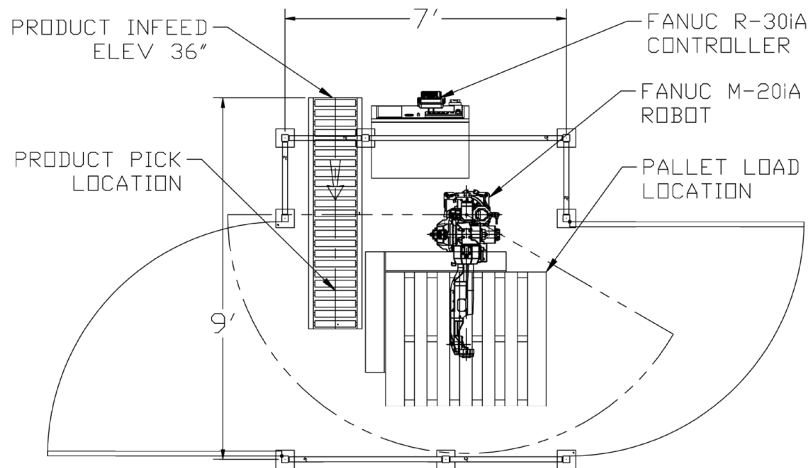
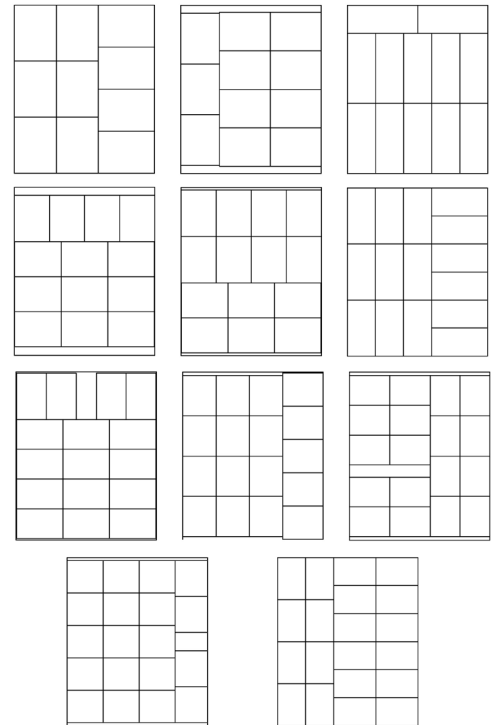
Standard Features

- Robot, tool, infeed, pallet locators, fence, base plate
- System controlled by robot through the teach pendant - no PLC required
- Quick change tool and infeed
- Box drop detection
- Category 3 safety
- Easy-to-use manual
- Lightweight end of arm tool for cases

Optional Features

- Pallet conveyor
- Pallet and/or slip sheet dispenser
- Mat top conveyor
- PLC
- Touch screen
- Ethernet connection
- Additional patterns
- Other robot models available for heavier payloads and extended reach

Specifications		
Case Dimensions		
Set up:	Std Minimum:	Std Maximum:
Length	9" (22.86 cm)	20" (57.15 cm)
Width	5" (12.7cm)	13" (33.02 cm)
Depth	3" (7.62 cm)	15" (38.1 cm)



All sales are subject to our prevailing terms and conditions. Illustrations and specifications are subject to change without notice. Machines shown without guards are for illustrative purposes only. Guards are supplied and must be in place before operation.