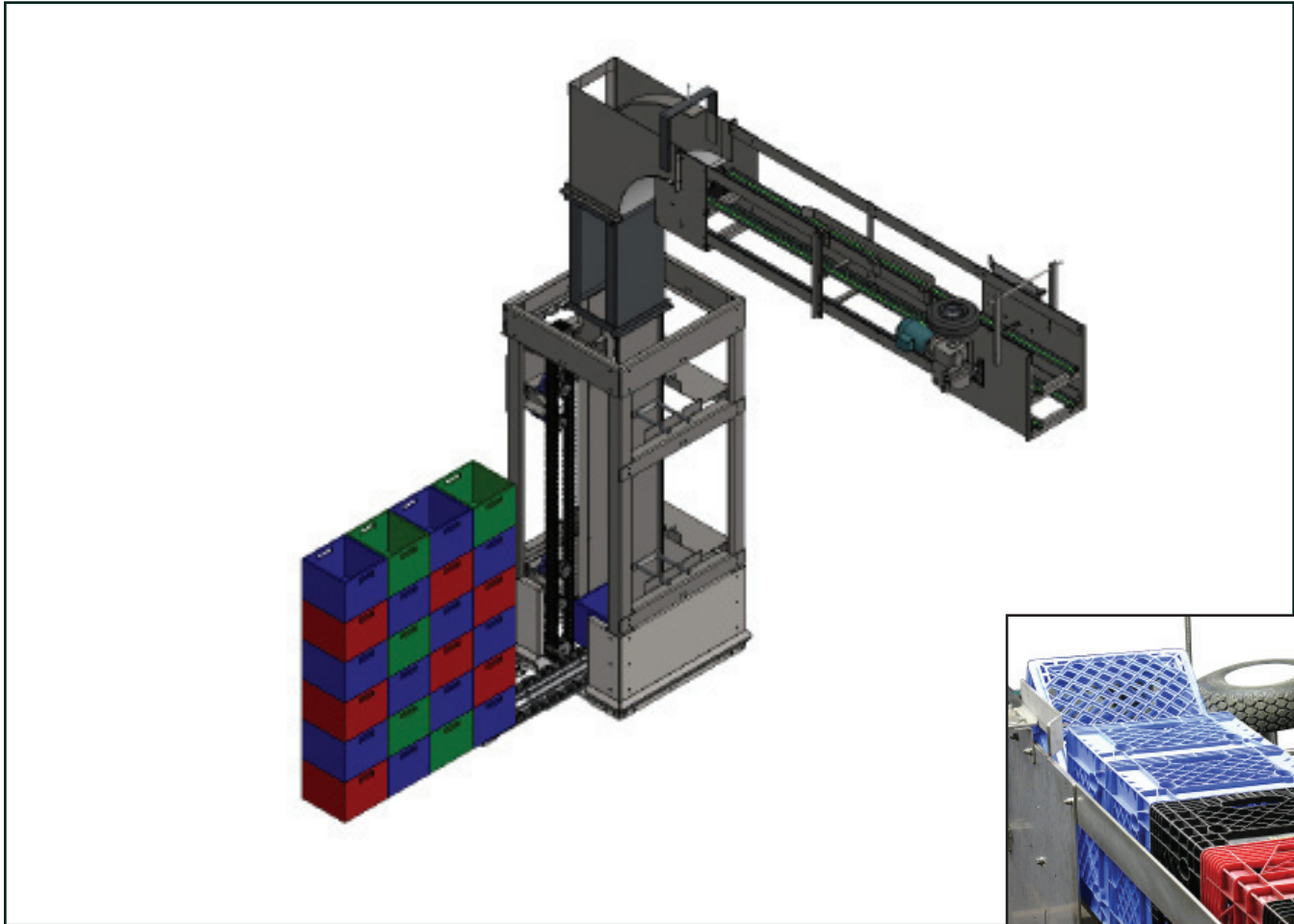




## Integrated Dairy Solutions Edmeyer Top-Out Unstacker II



### Key Features

- Laser-cut, stainless steel frame
- Heavy-duty chain lift mechanism
- Up to 84 cases per minute
- Allen-Bradley Logix Series PLC
- Allen-Bradley HMI
- NEMA 4 electrical
- Multi-directional case discharge
- Patented powered tipping device
- Warning light alerts improper case tip
- No hydraulics

# Integrated Dairy Solutions

## Edmeyer Top-Out Unstacker II

The new Thiele/Edmeyer Top-Out Unstacker moves stacks of empty milk cases from floor level, unstacks and deposits them on an overhead case conveyor system. The unique chain drive capsulates the stack during the lift operation and prevents stacks from tipping. The lift mechanism is a simplified design that is operated through a VFD for smooth operation. Cases can be discharged in one of four directions from infeed, allowing for custom layouts. Thiele's Unstacker is constructed with stainless steel for years of reliability in harsh conditions.

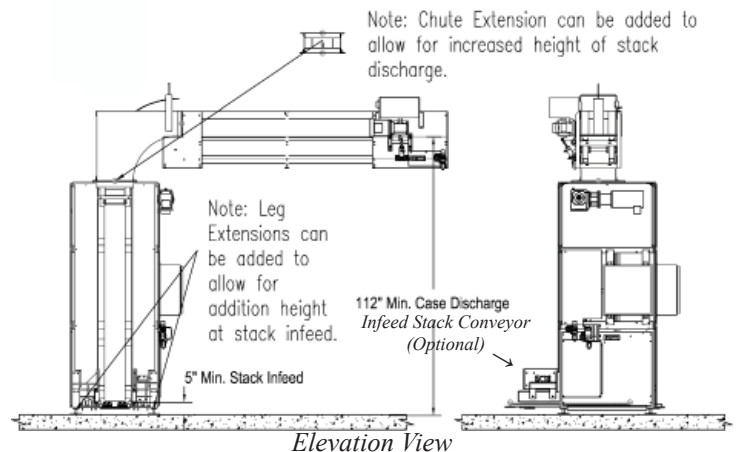
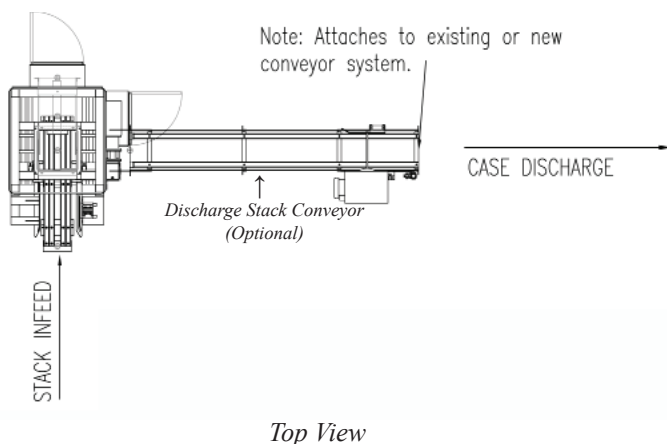
### Standard Features

- Up to 84 cases per minute
- Minimum maintenance
- Allen-Bradley PLC & HMI
- Corrosion resistant design
- Rugged construction
- Safety interlocked guards
- 480V/3 phase/60 Hz

### Available Options

- Servo-drive
- CompacLogix PLC
- Chute extensions to match customer's height
- Wheel drive unit
- Upper plastic chain takeaway and drive
- VL or CVL electrical enclosures
- NEMA 4x electrical
- Discharge or infeed conveyors
- 230 or 575 VAC

Specifications	
<b>Production Speed</b>	
Up to 12 stacks per min	
<b>Stack Height</b>	
Up to 7 cases	
Case Height	8.6" - 11" (218 mm - 279 mm)
Case Width	12" - 13" (305 mm - 330 mm)
Case Length	13" - 19" (330 mm - 425 mm)
<b>Pneumatic Usage</b>	
1 CFM @ 80 PSI	
<b>Electrical Requirements</b>	



All sales are subject to our prevailing terms and conditions. Illustrations and specifications are subject to change without notice. Machines shown without guards are for illustrative purposes only. Guards are supplied and must be in place before operation.