

Thiele Technologies

Integrated Dairy Solutions Top-Out Unstacker



Key Features

- Multi-directional case discharge
- Space conserving design
- Up to 85 cases per minute
- PLC controlled with ethernet
- Dual chain lift mechanism
- Warning light alerts improper case tip
- Stainless steel construction
- No hydraulics
- 4-sided stack guide prevents stack tips
- Patented powered tipping device

Barry-Wehmler

BPMC

Streamfeeder

EDMEYER

NIGRELLI

HUDSON-SHARP

Salwasser

TISMAR

Thiele
Technologies

SWF

Integrated Dairy Solutions

Top-Out Unstacker

The Thiele/Edmeyer new Top-Out Unstacker moves stacks of empty milk cases from floor level, unstacks and deposits them on an overhead case conveyor system. The unique dual chain drive capsulates the stack during the lift operation and prevents stack tips. The lift mechanism is a simplified design that is operated through a VFD for smooth operation. Cases can be discharged in one of four directions at 90° intervals, allowing custom layouts. Thiele's Unstacker is built with stainless steel for durability.

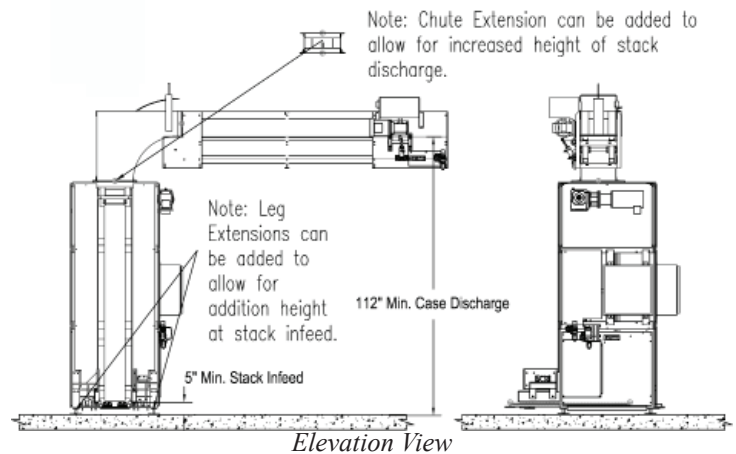
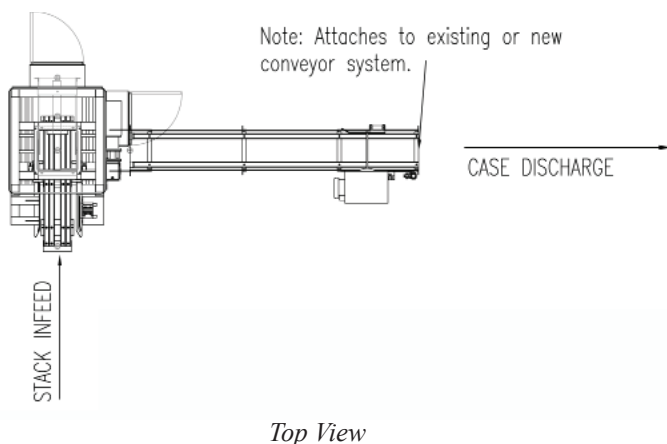
Standard Features

- Up to 85 cases per minute
- Minimum maintenance
- PLC controls with Ethernet
- Corrosion resistant design
- Rugged construction
- Safety interlocked guards

Available Options

- Servo-drive
- CompacLogix PLC
- Chute extensions to match customer's height
- Drive unit
- Upper plastic chain takeaway and drive

Specifications	
Production Speed	
Up to 12 stacks per min	
Stack Height Up to 7 Cases	
Case Height	11" (280 mm)
Case Width	13" (330mm)
Case Depth	13" - 19" (330mm - 425mm)
Pneumatic Usage	
1 CFM @ 80 PSI	
Electrical Requirements	
Power	230/460V, 3 phase 60 Hz
Control Voltage	110V, 1 phase, 60 Hz



All sales are subject to our prevailing terms and conditions. Illustrations and specifications are subject to change without notice. Machines shown without guards are for illustrative purposes only. Guards are supplied and must be in place before operation.

Thiele Technologies, Inc.

A BARRY-WEHMILLER COMPANY

315 27th Avenue Northeast, Minneapolis, MN 55418 USA • +1 (612) 782-1200
 sales@thieletech.com • www.thieletech.com