

Thiele Technologies

Automatic Bagging System OmniStar™



Key Features

- Automatic discharge of unsatisfactory bags
- Handles most paper, polyethylene and woven polypropylene bags
- Servo drive for fast, smooth & precise mechanical operation
- Fully integrated PLC control system with common HMI for scale and bagger available
- Integral sealers for paper, poly and polywoven
- Fully integrated PLC control system with common HMI for scale and bagger available

Barry-Wehmiller

Thiele
Technologies

BPMC

Streamfeeder

EDMEYER

NIGRELLI

HUDSON-SHARP

Salwasser

T I S M R

SWF

Automatic Bagging System

OmniStar™

The OmniStar packages 20 to 110 lbs. (9-50 kg) of products in multi-wall paper or poly bags at speeds of up to 20 bags per minute. Along with automatic bag pickup, the design features automatic rejection of unopened or improperly sized bags. This innovation, combined with the no-bag/no-product feature, significantly increases productivity as the operator does not have to stop the bagger to extract bags.

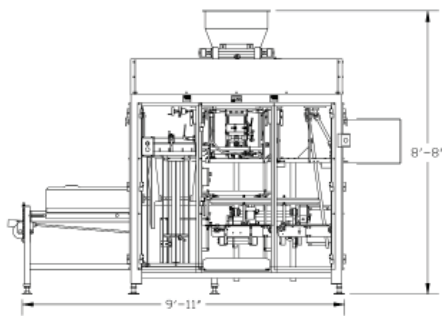
Servo motors provide a smooth, fast, and precise way to transfer bags into each stage of the bagging process. In addition, the OmniStar has fewer moving parts than other comparable baggers. This reduces downtime and speeds up troubleshooting, further adding to your productivity.

The bag top is always under total control for better high-speed closing. Product is precharged into an intermediate hopper, greatly reducing product dusting during filling while increasing speed.

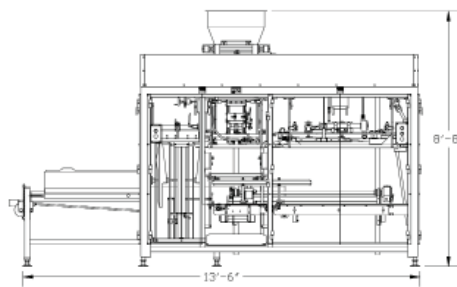
The programmable operator's panel makes operation safer and easier. Numerous screens allowing interaction with the control software program can be called up to operate and monitor the bagger as well as change bagger parameters. This feature enhances the quick, no-tool changeover. Just enter the recipe for the new bag size, make mechanical adjustments to accommodate the new bag size, and resume operation. Complete changeover takes only three to five minutes.

Ideal for packaging pet food, sugar, salt, fertilizer, rice, or petro-chemical resin. The OmniStar is a dependable, durable, and cost-effective investment. It offers the competitive advantage you need to stay ahead of your competition.

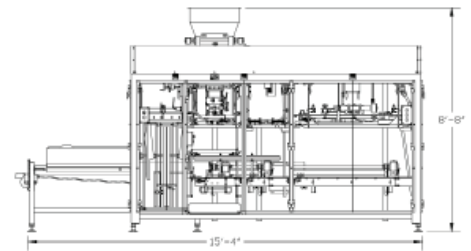
Specifications	
Production Speed	
Up to 20 bags per minute	
Bag Sizes	
Face Width	11" to 19" (279mm to 483mm)
Length	
PBOM	15" to 41" (381mm to 1041mm)
SOM	14" to 40" (355mm to 1016mm)
Poly	14" to 40" (355mm to 1016mm)
Woven Poly	14" to 40" (355mm to 1016mm)
Electrical Requirements	
Input Power	230/460V, 3 phase, 60 hz
Control Circuit	24 Volt DC from internal power supply
Current Draw	230 volt (20 amps) 460 volt (10 amps)
Air Requirements	
Operating Pressure	80 psi (5.4 atm)
Line Pressure	90 psi (6.1 atm)
Air Use per Cycle	2.0 scf (55 liters) free air per cycle
Approximate Shipping Weight	
Bagger	4,500 lbs (2041 kg)
Bag Magazine	500 lbs (227 kg)
Closing Conveyor	300 lbs (136 kg)



7133 OmniStar, available with or without internal poly bag sealer in 3rd station



7137 OmniStar, 3-station with PBOM bag sealer in 3rd station



7139 OmniStar, 4-station with either PBOM bag sealer in 4th station or with poly bag sealer in 3rd station and PBOM bag sealer in 4th station

All sales are subject to our prevailing terms and conditions. Illustrations and specifications are subject to change without notice. Machines shown without guards are for illustrative purposes only. Guards are supplied and must be in place before operation.

Thiele Technologies, Inc.

A BARRY-WEHMILLER COMPANY

315 27th Avenue Northeast, Minneapolis, MN 55418 USA • +1 (612) 782-1200
sales@thieletech.com • www.thieletech.com