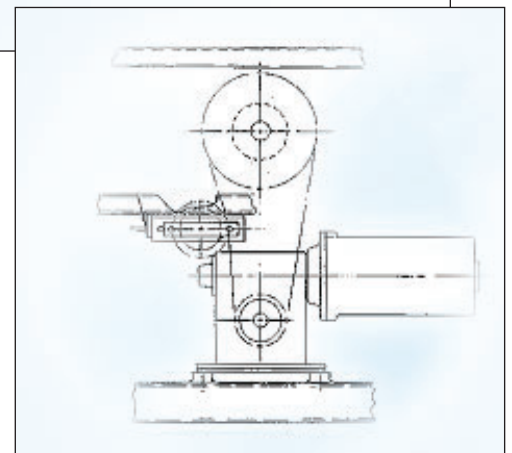
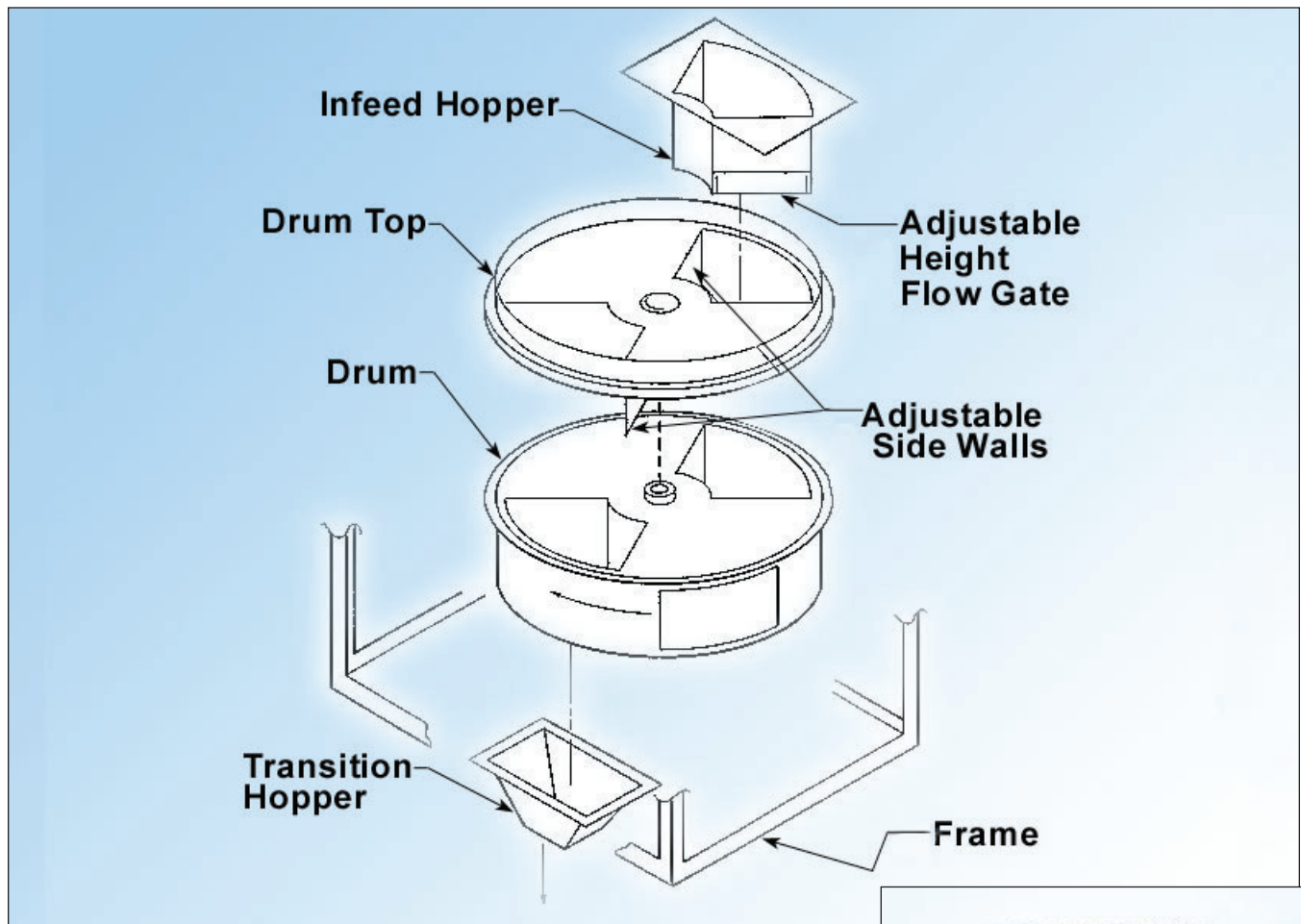


Volumetric Filler System Series 2250



Standard Features:

- Two measuring cavities
- Permanent cavity
- Adjustable volume control
- Fast - trims volume while running
- Reversible drive for easy jam clearance
- Variable speed to match the Ultima II
- Constant product discharge
- No parts to changeover
- Dust collection system

Barry-Wehmler

Volumetric Filler System Series 2250

The Series 2250 Volumetric Filler system measures by volume and feeds by gravity. The system features adjustable volume control and speed to match the Ultima ® II Form-Fill-Seal system. Together they offer simplicity, speed and economy.

The Series 2250 Volumetric Filler features simple, fast, and accurate measurement combined with easy maintenance.

Specifications

SPEED

Up to 30 bags per minute depending on product flow.

POWER REQUIREMENTS

Input Power 230/460 volts, 3 phase, 60 Hz
(other voltages available)

Control Power 230/460 volts, 3 phase, 60 Hz
(other voltages available)

AIR REQUIREMENTS

Operating Pressure 80 psig (0.54 Atm)

Line Pressure 90 psi (6.1 Atm) minimum

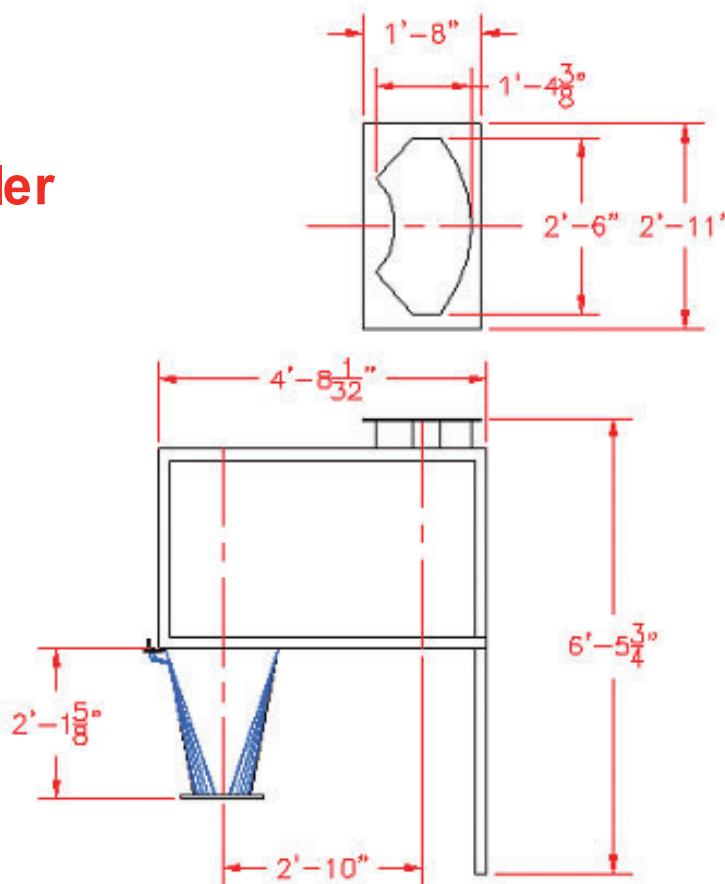
Maximum Free Air Consumption 40 cu. ft. (420 liters) free air per minute at 80 psi (552 kpa)

BAG SIZE RANGE

Minimum 1 cu. ft. (10.5 liters)

Maximum 3 cu. ft. (31.5 liters)

Series 2250 Volumetric Filler Basic Dimensions



All sales are subject to our prevailing terms and conditions. Illustrations and specifications are subject to change without notice. Machines shown without guards are for illustrative purposes only. Guards are supplied and must be in place before installation.

Thiele Technologies, Inc.

315 27th Ave. N.E. • Minneapolis, MN 55418-2715 USA • 612/782-1200
www.thieletech.com sales@thieletech.com