

SWF High Speed Case Erector CE 451



Key Features

- Up to 40 cases per minute (dependent on size and style)
- Small footprint
- Erects RSC, HSC, or auto-bottom case styles
- Rugged, 24/7 construction
- Simple operator interface
- PLC controls
- Polycarbonate interlocked guard package
- Hot melt glue system
- Quick changeover
- Thousands of Thiele/SWF installations worldwide
- Backed by a world-class service team

SWF High Speed Case Erector

CE 451

The CE 451 Case Erector is a rugged, high-speed machine that folds and seals the bottom flaps of RSC or HSC cases with hot melt adhesive. The standard machine can run up to 30 cases per minute with economical air cylinder operation. Servo motors can be used for speeds above 30 per minute. The design of the CE 451 is based on dependable, mechanical simplicity using opposed vacuum opening and positive case transfer.

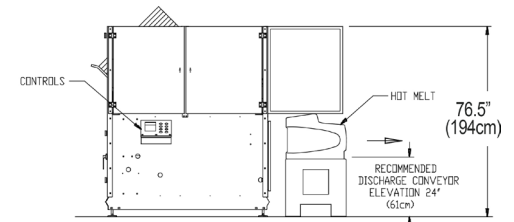
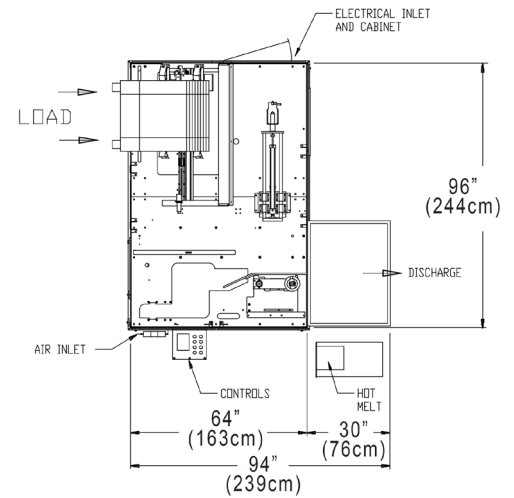
For more than 60 years, the SWF product line has been a leader in bliss, tray and case erecting solutions. We can help you and your corrugated supplier to determine the best packaging design and machinery solution for your application. Please contact us to discuss your project.

Standard Features

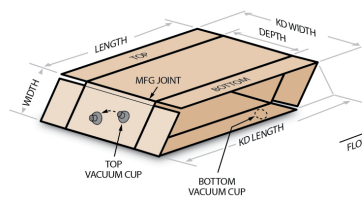
- Pressurized hot melt glue system
- Handles treated and coated corrugated materials
- Quick changeover
- Fully interlocked safety doors
- Operator control panel with display screen
- Automatic jam shutdown sensor

Optional Features

- High capacity powered hoppers
 - 6' hopper capacity - 270 C-flute
 - 11' hopper capacity - 390 C-flute
 - 15' hopper capacity - 540 C-flute
- Corrosion resistant packages
- Servo actuation for higher speeds
- Discharge conveyors

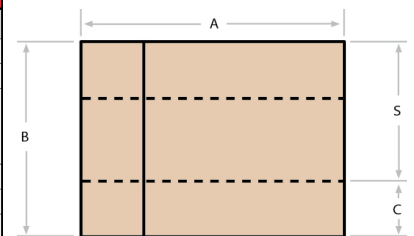


Dimensions specified are preliminary only



| CE 451 Case Size Ranges | | |
|-------------------------|---------------|---------------|
| SET UP: | STANDARD MIN. | STANDARD MAX. |
| LENGTH | 8" (20.32cm) | 20" (50.8cm) |
| WIDTH | 5" (12.7cm) | 14" (35.6cm) |
| DEPTH | 5" (12.7cm) | 14" (35.6cm) |
| KNOCKED DOWN | | |
| A DIMENSION | 13" (33.02cm) | 34" (86.4cm) |
| B DIMENSION | 11" (27.9cm) | 24" (61.0cm) |
| S (DEPTH+TOP FLAPS) | 8" (20.3cm) | 19" (48.3cm) |
| C (FLAPS TO BE GLUED) | 3" (7.6cm) | 6" (15.2cm) |

Note: Specifications subject to change without notice.



All sales are subject to our prevailing terms and conditions. Illustrations and specifications are subject to change without notice. Machines shown without guards are for illustrative purposes only. Guards are supplied and must be in place before operation.